

Samsung Washing machine WM110

[> Web link](#)

Model
Samsung Washing machine WM110

Energy efficiency class
A (New Label 03.21)

Manufacturer ID
WW80T854ABH/S5

Article no.
500.000.120.00

Appliance type / construction type
Washing machine, front loader

Door hinge
Left

VRG
18.52

Price CHF
1040.- N excl. VAT

Highlights

- 20-year warranty on digital inverter motor
- Noise level: washing 52 db(A), centrifugation 71 db(A)
- Auto Cycle Link - compatible dryer suggests suitable programme after washing cycle
- Hygiene Steam - hygienic cleanliness with steam, eliminates allergens and bacteria
- AI Control (KI) - Intelligent washing
- Networking with Smart Things App
- QuickDrive™- full performance in half the time
- AddWash™ - add laundry at any time
- ecobubble™- Deep cleaning at low temperatures, save energy
- Spin speed: max. 1400 rpm
- 15 min. quick wash
- 8 kg drum capacity

Product description

Appliance type / construction type: **Washing machine, front loader, Euro-Norm 60 cm**
GTIN no: **8806090605383**

Planning guidelines

13 languages available, including Braille (English, Dutch, Danish, Finnish, French, German, Icelandic, Italian, Norwegian, Portuguese, Spanish, Swedish, Turkish)
Minimum clearance for proper operation: sides: 25 mm, top: 25 mm, rear: 50 mm, front: 550 mm

Consumption

Energy efficiency class (from A to G): **A**
Efficiency index: **52.0**
Energy consumption per 100 cycles: **47 kWh**
Water consumption per cycle: **48 L**
Power consumption in off-standby / timed standby / networked standby (if available): **0.5 / 5 / 2 W**

Design

Housing color: **White**
Door color: **Tint Door (Black Decor)**

Display and operation

Indicator: **Control panel AI Control incl. Braille**
Display: **AI Control**
Operation: **Touch control & rotary knob**
Language display program selection (preset): **13 languages available, including Braille**

Interconnection of household appliances

Samsung Smart Home: **Smart Things App**

Performance properties

Washing performance class (from A to G): **A**
Spin-drying performance class (from A to G): **B**
Residual moisture: (full / half / quarter load): **53 / 53 / 53 %**.
Spin speed (revolutions per minute) (full / half / quarter load): **1400 / 1400 / 1400 rpm**
Washing efficiency index: **1.03**
Rinse efficiency: **5 g/kg**
Highest laundry temperature (full / half / quarter load): **30 / 24 / 23 °C**
Programme duration Eco 40-60°C (full / half / quarter load): **3:05 / 2:18 / 2:05 h**
Automatic switch-off time: **3 min.**
Sound power level
Washing: **52 dB(A)**
Spin: **71 dB(A)**
Airborne sound emission class during spinning (A to D): **A**

Samsung Washing machine WM110

[> Web link](#)**Mounting type**

Freestanding with worktop: **Yes**
 Freestanding undercounter: -
 Undercounter unit (without worktop): -
 Mobile:-
 Door hinge: **Left (not reversible)**

Dimensions

Unit dimensions (H x W x D): **850 x 600 x 635 mm**
 Unit depth (incl. wall clearance) : **685 mm**
 Unit depth with door open (incl. wall clearance): **1122 mm**
 Adjustable height: **max. 30 mm**
Empty weight
 Unit weight: **79 kg**

Fittings

QuickDrive™: **Yes**
 AddWash™: **Yes**
 ecobubble™ technology: **Yes**
 Digital inverter motor: **Yes**
 Anti-vibration technology: -
 Ceramic heater rod: -
 Drum type: **Swirl+**
 Drum volume: **63 L**
 Drum lighting: -

Functions

SmartCheck: -
 WiFi SmartControl: **Yes**
 Smart Sensor (automatic capacity regulation) : -
 AI Control: **Yes**
 FleckenIntensiv [intensive stain removal]: **Yes**
 Auto Optimal Wash -
 Automatic dosing: -
 Hygiene Steam: **Yes**
 Speed Spray: **Yes**
 Super Speed: **Yes**

Programme

Washing programs: **Cotton, SuperSpeed, Eco 40-60, Easy care, Wool, Delicates, Baby Care Intensive, Cloudy day, Coloured wash, Towels, Shirts, Jeans, Cold wash Intensive, Outdoor, Super Quiet, Sportswear, Hygiene Steam, XXL wash, Fast wash 15', Pump+spin, Rinse + spin, Drum cleaning+**
 Options and keys on the display: **On / Off, navigation wheel, start/pause, display, OK, temperature, rinse, spin, additional functions, Smart Control**
 Washing options: Prewash, Intensive
 Indications on the display: **wash programme, load recommendation, temperature, rinse, Skidding, Smart Control, WLAN, door interlock, lock, programme remaining time, end time preselection, error messages**
 Temperature selection: **Cold / 20 / 30 / 40 / 60 / 90 °C**
 Spin speed: **0 / 400 / 800 / 1000 / 1200 / 1400 rpm**

Safety

Child safety: **Yes**
 Anti-foam control: **Yes**
 Overheating control: **Yes**
 Self-diagnosis system: **Yes**
 Self-cleaning filter: **Yes**
 Aqua-stop hose: **Yes**
 Leak sensor (tub): **Yes**

Power and water consumption**Electrical connection**

Supply voltage: **230V**
 Frequency: **50 Hz**
 Connection values: **2,3 kW**
 Fuse protection: **10 A**
 Length power connection: **2 m**
 Power plug: **with plug type 12, 10 A**

Water connection

Pressure hose G 3/4": **Yes**
 Connectable to cold/hot water: **Yes / -**
 Water pressure: **0,5 - 8 Bar**
 Water inlet: **1,5 m with Aquastop**
 Water outlet: **1,5 m**

Packaging

Weight, incl. Packaging: **81 kg**
 Packaging dimensions (H x W x D): **890 x 666 x 697 mm**

Samsung Washing machine WM110 [> Web link](#)

Accessory You can find the complete range of accessories here [> Weblink](#)

Optional accessories



500.000.062.00 / CHF
42.-
Combination set SK-DH
washer/dryer tower,
WM110, WM20, WM30



500.000.129.00 / CHF
134.-
Combination set
SKK-UDW washer/dryer
tower with pull-out
WM120

Compatible Articles



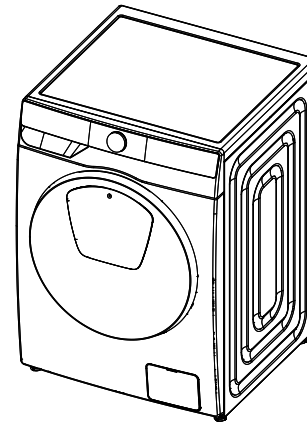
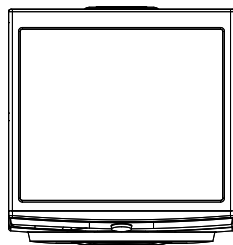
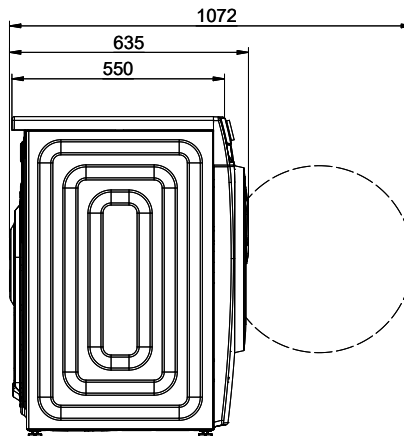
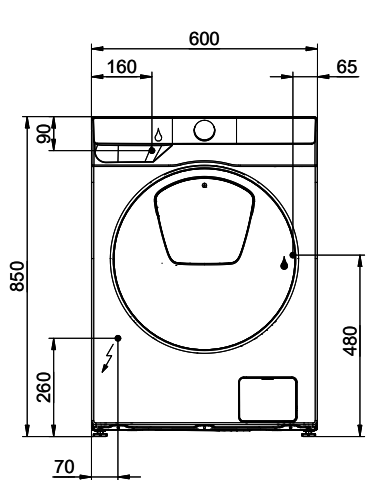
500.000.062.00 / CHF
42.-
Combination set SK-DH
washer/dryer tower,
WM110, WM20, WM30

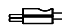


500.000.129.00 / CHF
134.-
Combination set
SKK-UDW washer/dryer
tower with pull-out
WM120

Samsung WM110

WW80T854ABH/S5



 230V 10A T12 - L=2000mm

 Wasser Zulauf

 Wasser Ablauf